

Low Profile, High Performance Cooling Solutions w/Thermal Tape Attachment*

DIGI-KEY PART # **ATS1377-ND**

ATS PART # ATS-60001-C2-R0

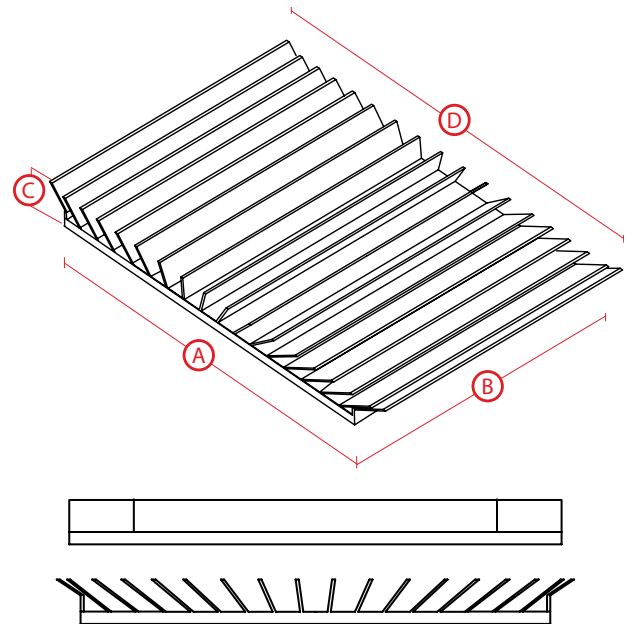
Features & Benefits

blueICE™ heat sinks feature an ultra low profile for tough-to-cool applications

Designed for high performance in low air velocities

Ideal for telecommunications applications where space is limited

Comes preassembled with high performance thermal interface material



Thermal Performance Table

AIR VELOCITY		THERMAL RESISTANCE	
FT/MIN	M/S	°C/W (UNDUCTED)	°C/W (DUCTED)
200	1.0	7.8	3.8
300	1.5	6.1	
400	2.0	4.9	
500	2.5	4.1	
600	3.0	3.6	
700	3.5	3.1	
800	4.0	2.8	

Product Details†

DIMENSION A	DIMENSION B	DIMENSION C§	DIMENSION D	TIM†	FINISH
37.6	37.6	4	56	C675	BLUE-ANODIZED

For further technical information, please contact Advanced Thermal Solutions, Inc. at **1-781-769-2800** or **www.qats.com**

* RoHS Compliant

† TIM = Thermal Interface Material

‡ Dimensions are measured in millimeters

§ Dimension C = the height of the heat sink shown above and does not include the height of the attachment method



ATS ADVANCED THERMAL SOLUTIONS, INC.

Innovations in Thermal Management®



To place an order, please visit **www.digikey.com**